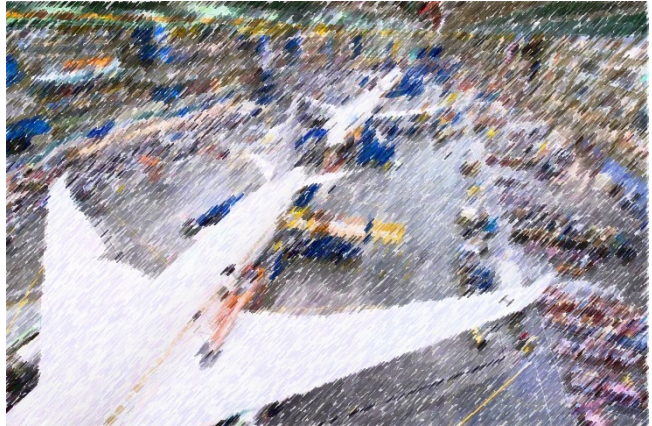
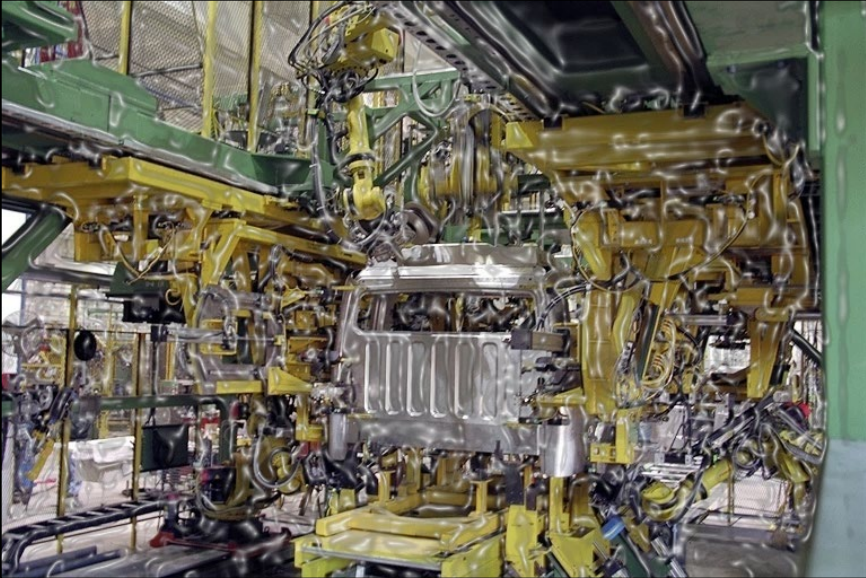


Utica Aerospace & Automation

“Standard Products”

(A Subsidiary of Utica International)



Please Note: The above photos are for reference only

Utica Facility Information

Total Sq. Feet: Approx. 350,000



[UEI Headquarters Facility \(Troy, MI\)](#)



[UEI AB&T Facility \(Chesterfield, MI\)](#)



[Kramer Facility \(Madison Heights, MI\)](#)

Customer Reference



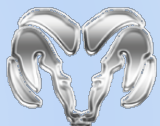
HONDA



TESLA MOTORS



BAE SYSTEMS



Jeep



Please Note: The above photos are for reference only

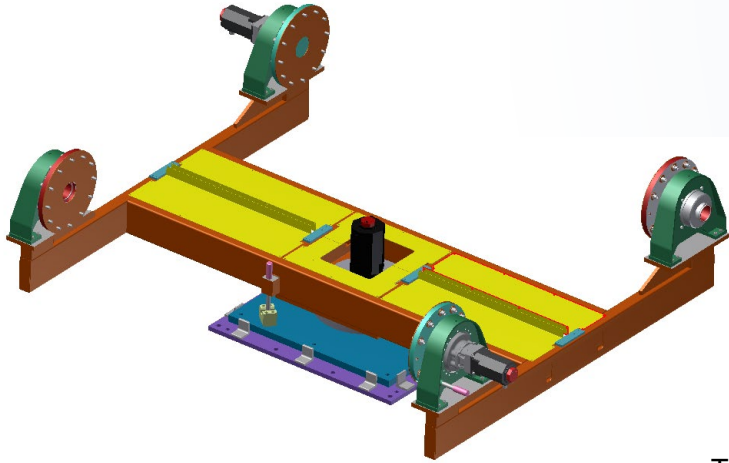




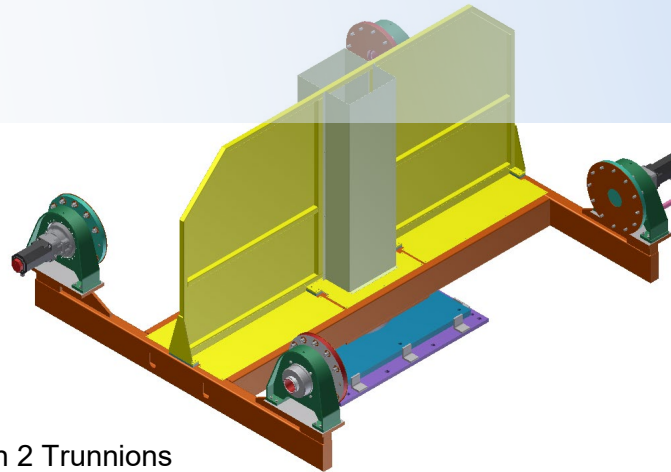
Standard Products and Automation

Please Note: The above photos are for reference only

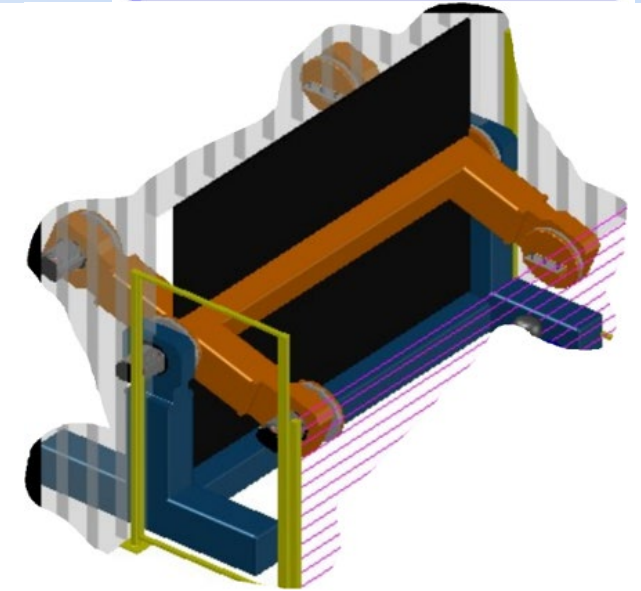
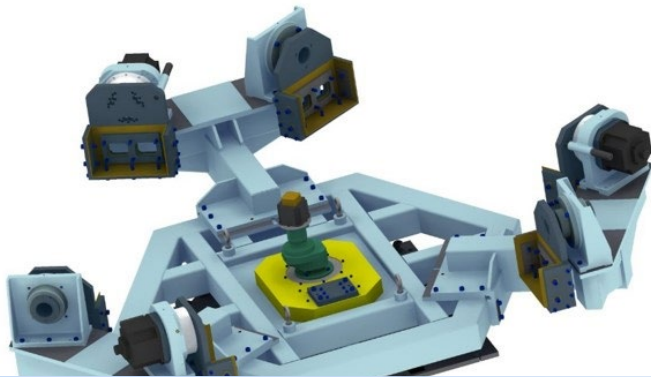
VFD & Servo Positioners



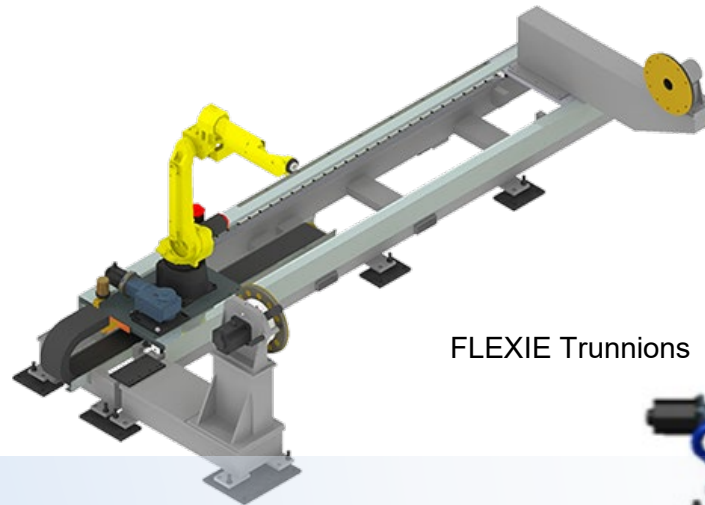
Turn Table with 2 Trunnions



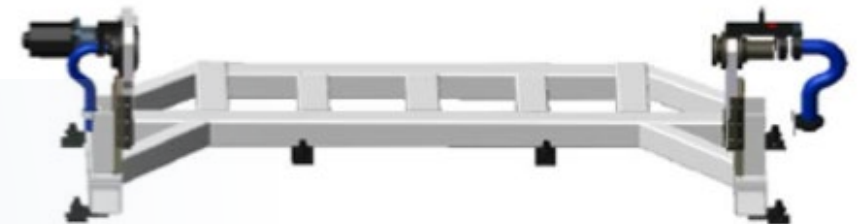
Turn Table with 3 Trunnions



Ferris Wheel Trunnions



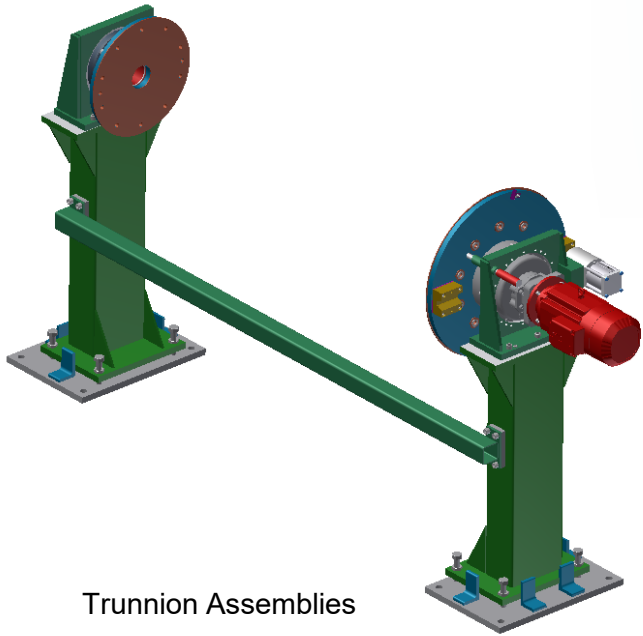
FLEXIE Trunnions



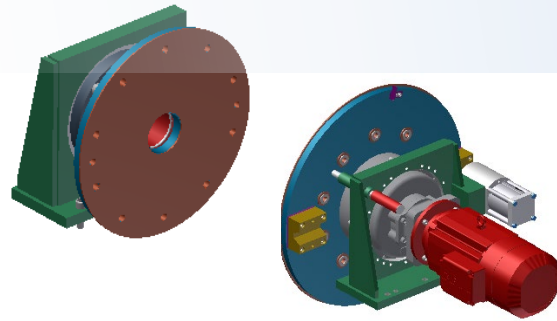
Sliding Head and Tail Stock Trunnion

Please Note: The above photos are for reference only

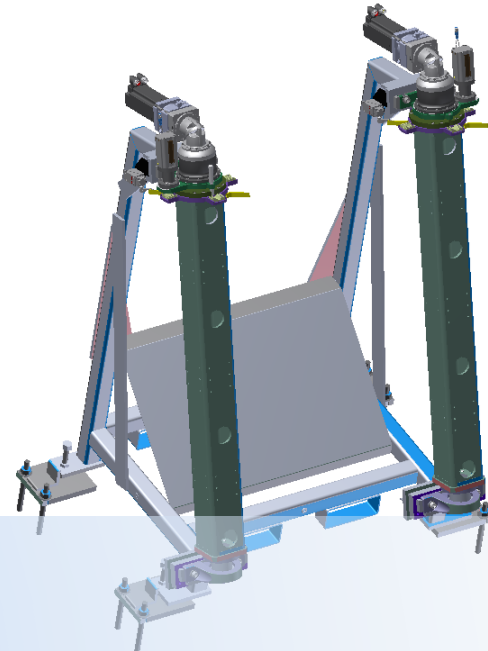
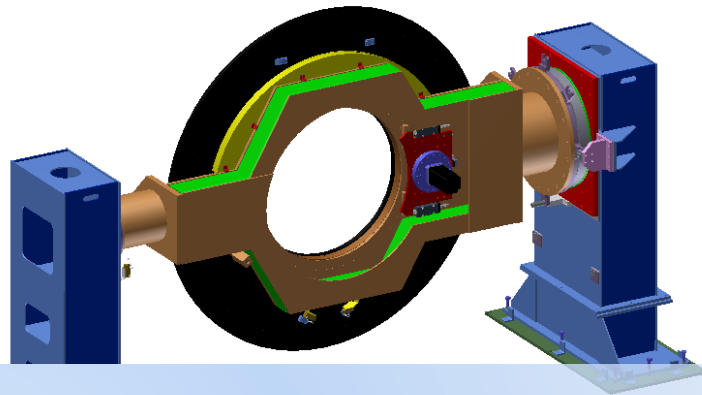
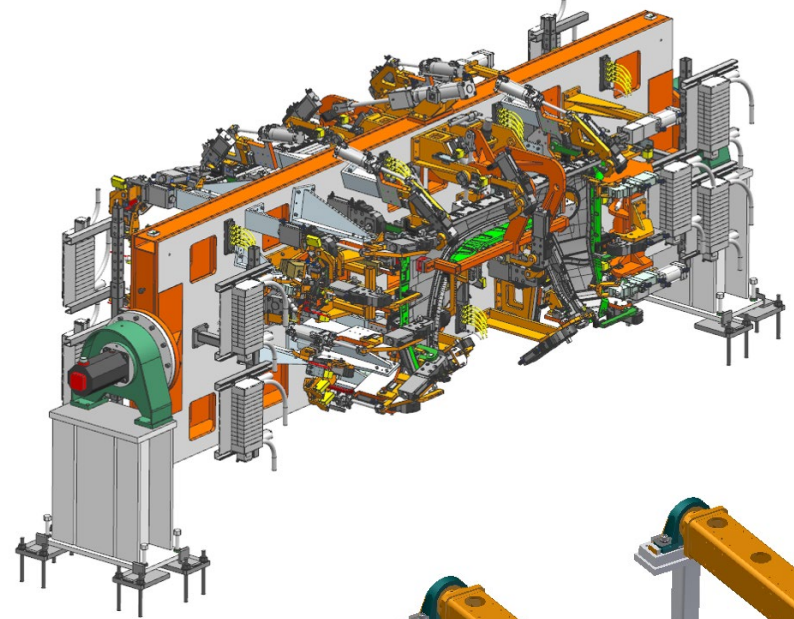
VFD & Servo Positioners



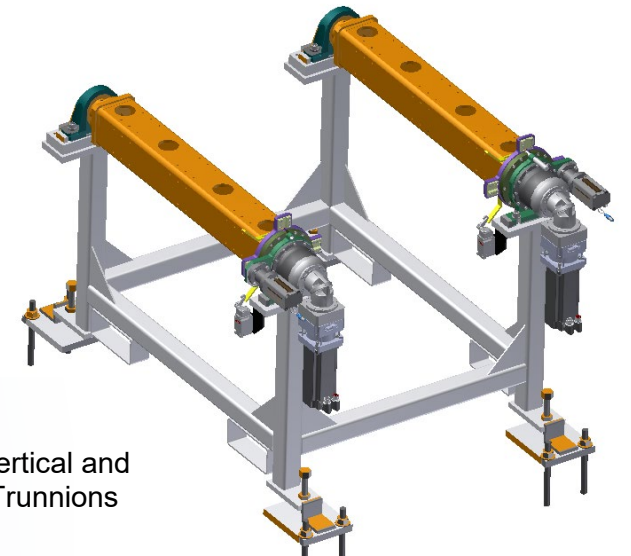
Trunnion Assemblies



Head and Tail Stock Trunnion

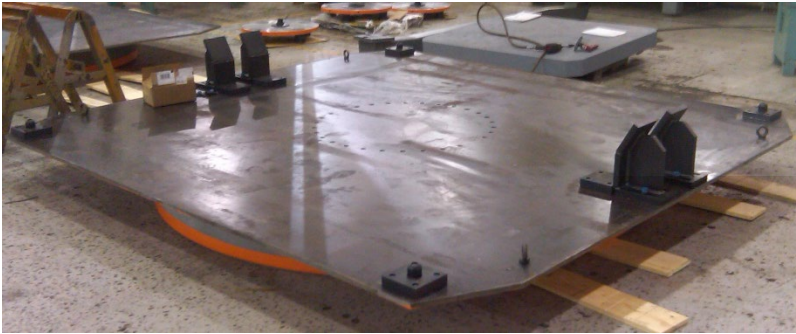


Light Duty Vertical and Horizontal Trunnions

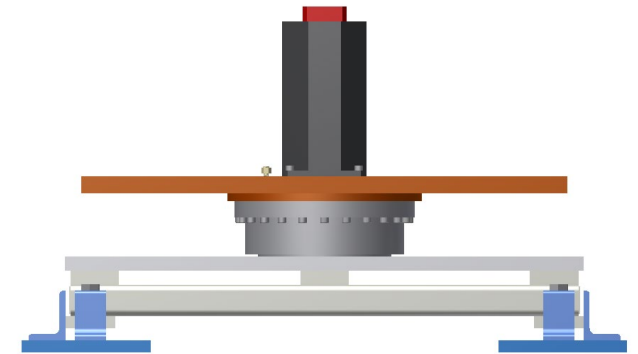
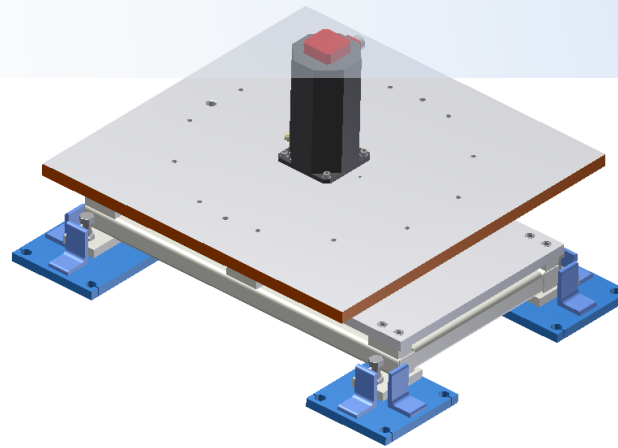


Please Note: The above photos are for reference only

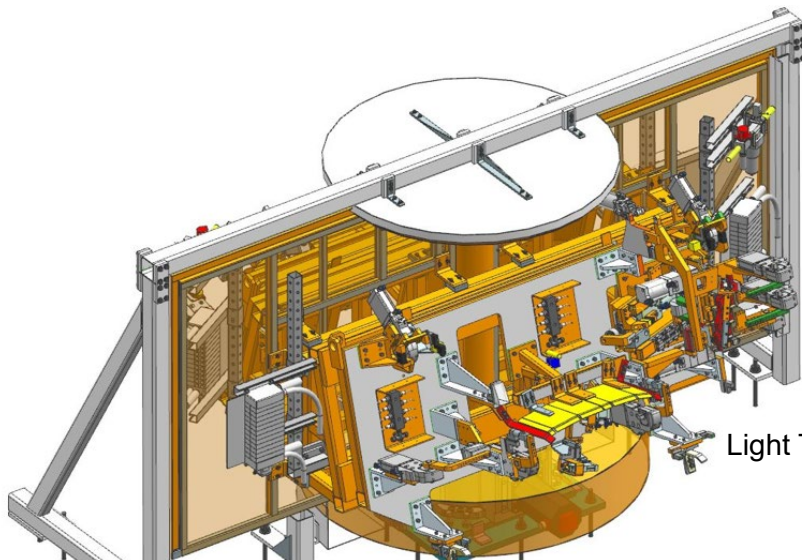
Turn Tables



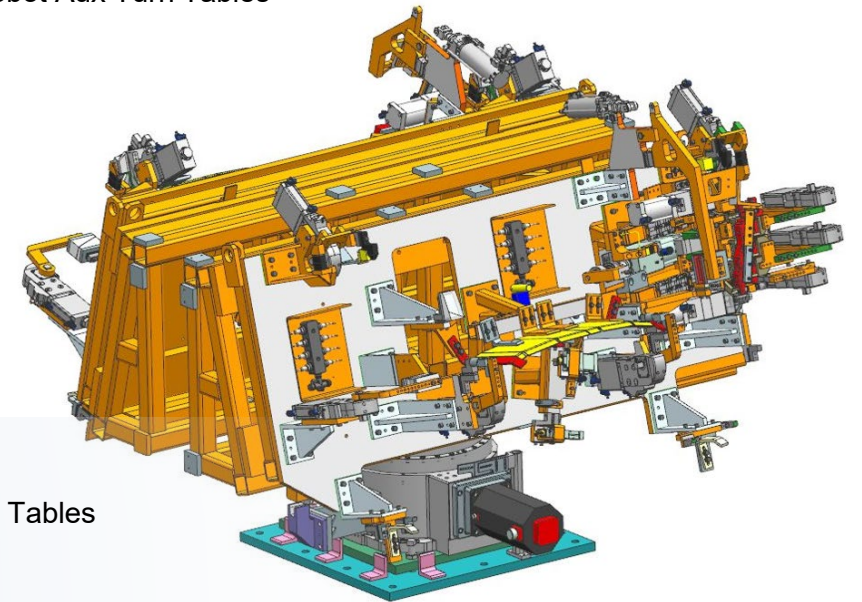
Low Profile Part Turn Tables



Low Profile Servo Robot Aux Turn Tables



Light Tight Turn Tables



Pedestal Turn Tables

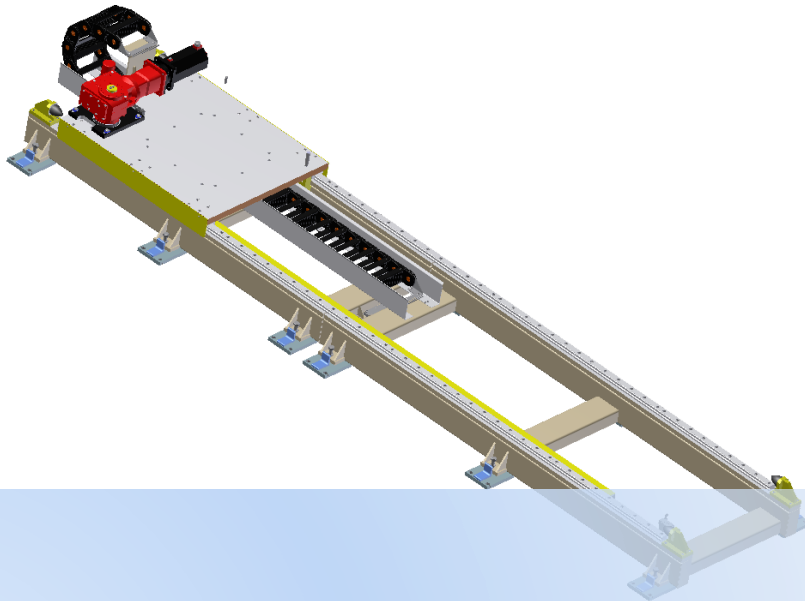
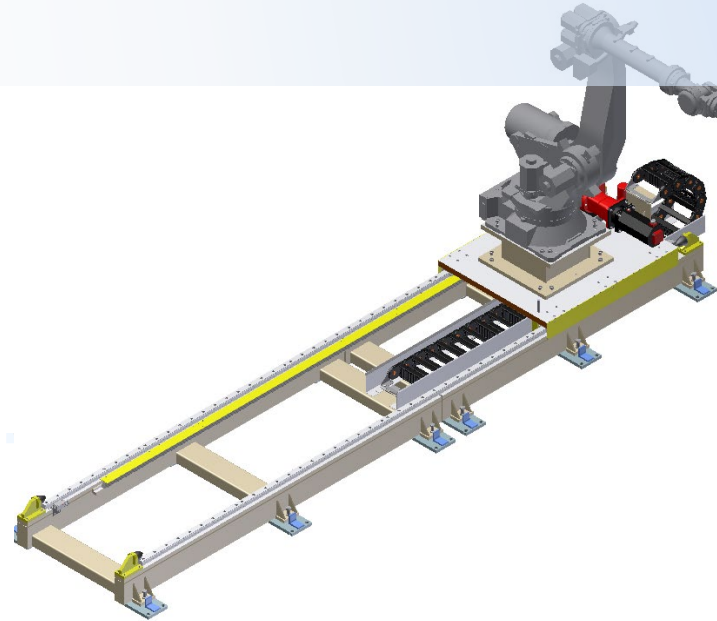
Please Note: The above photos are for reference only

7th Axis Robot Transfer – Floor Mounted and Overhead



Robot Manufactures:

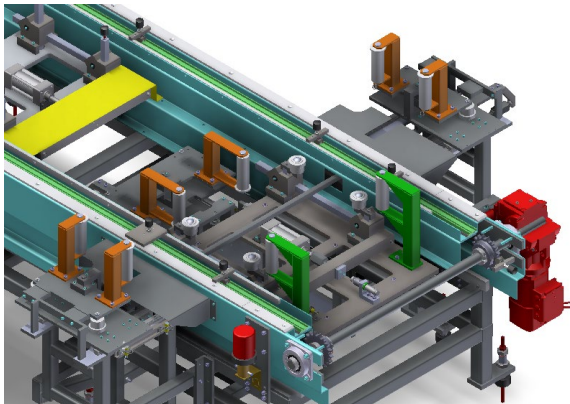
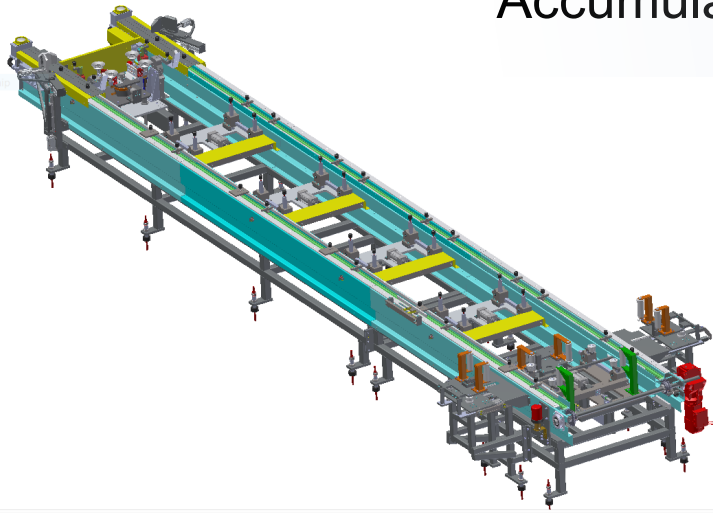
- Nachi
- Kawasaki
- ABB
- Fanuc
- Kuka
- Motoman
- OTC



Please Note: The above photos are for reference only

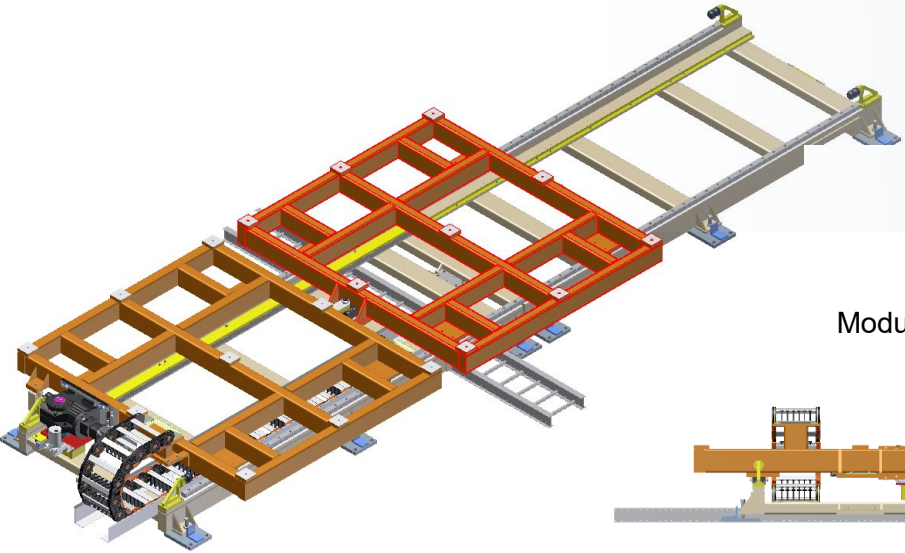
Conveyors

Vertical Conveyors, Chain on Edge Conveyors,
Accumulating and Non-Accumulating Conveyors

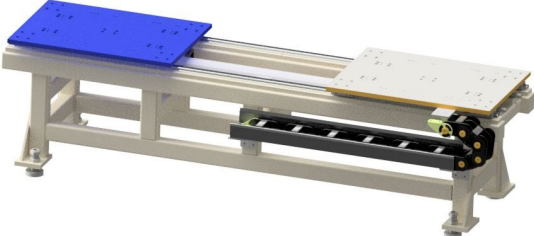
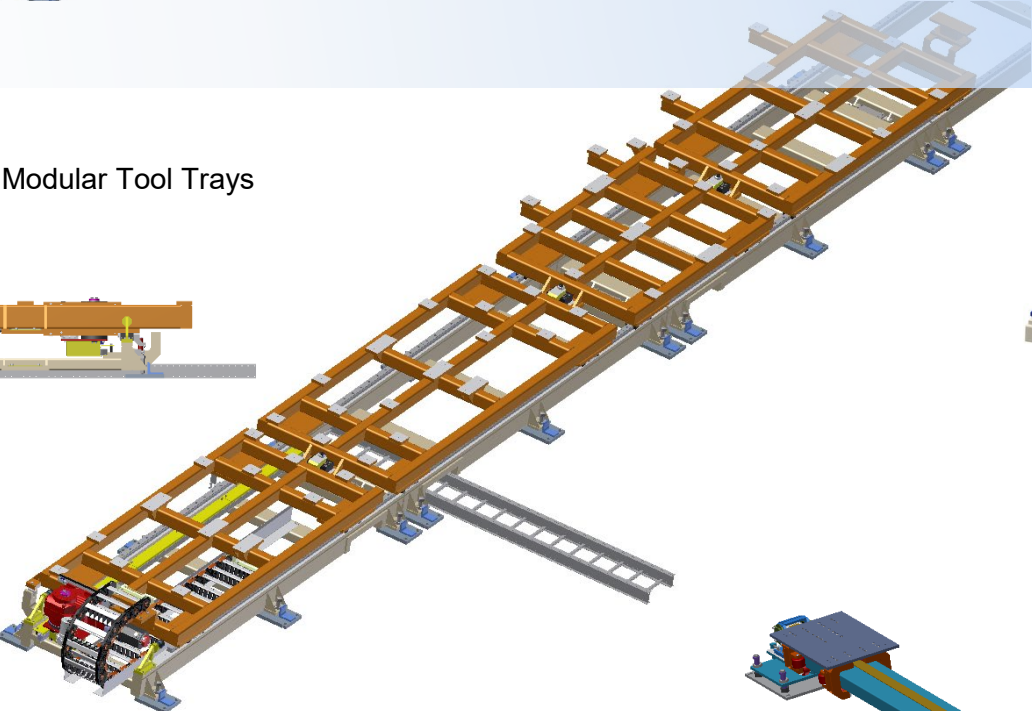


Please Note: The above photos are for reference only

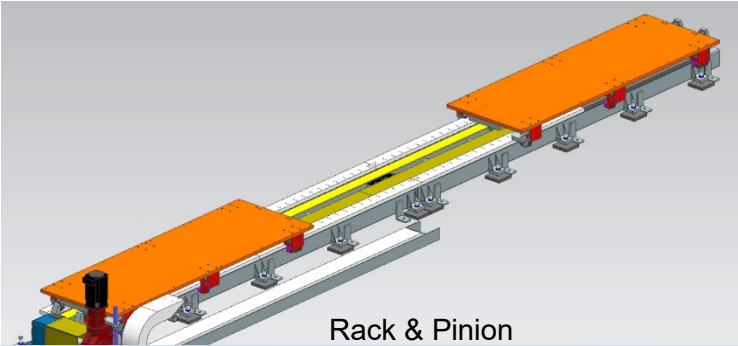
Tool Trays and Part Transfer



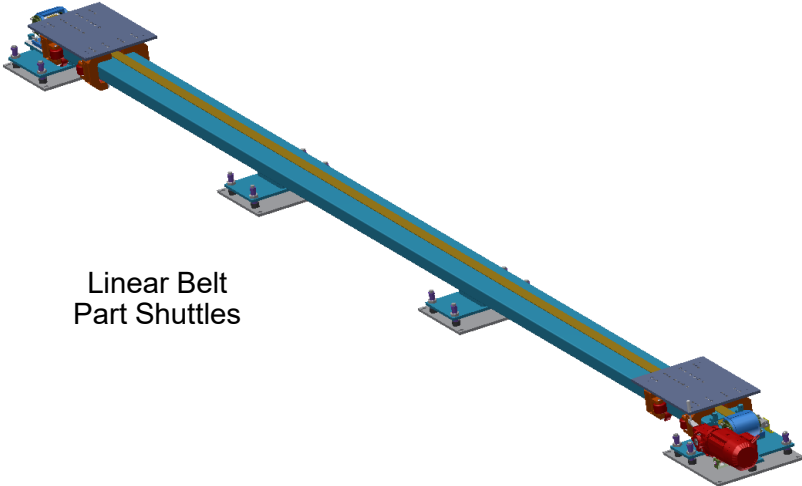
Modular Tool Trays



Operator and Robot load and Unload Part Shuttles



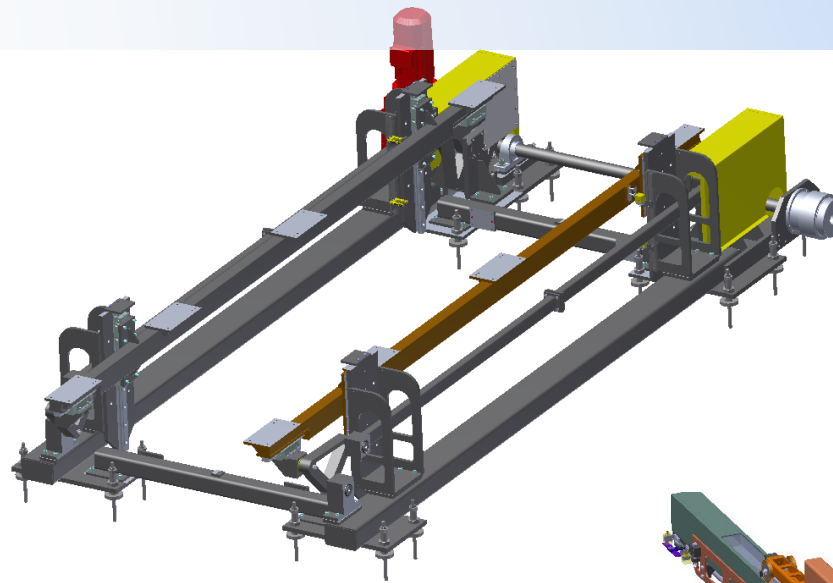
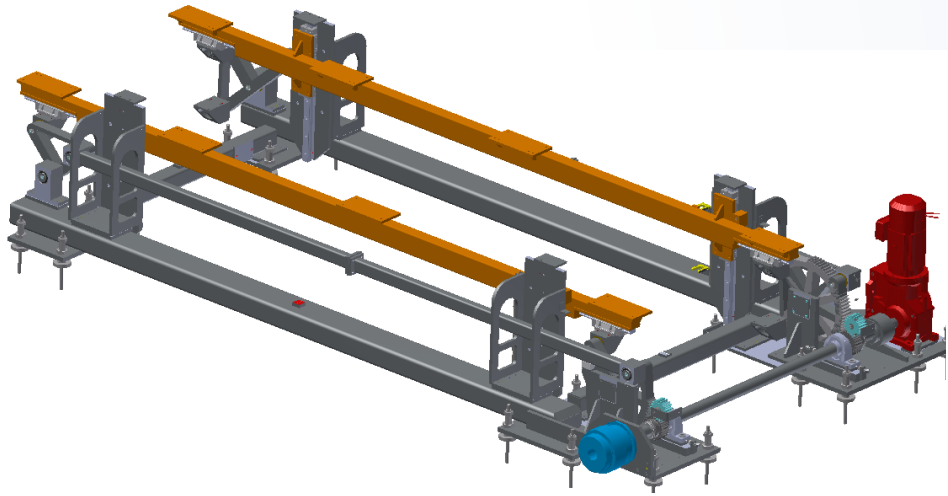
Rack & Pinion Part Shuttles



Linear Belt Part Shuttles

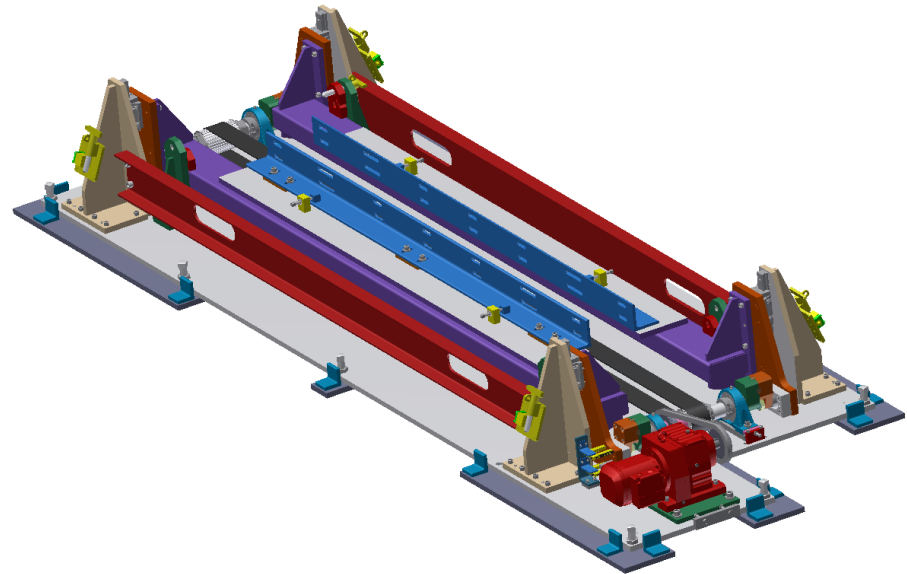
Please Note: The above photos are for reference only

Custom and Standard Lifters



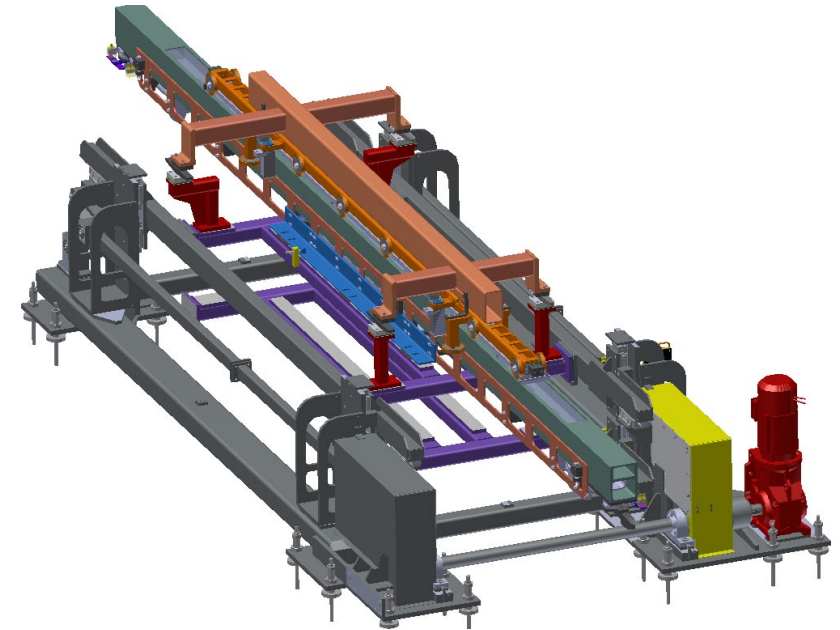
Standard Lift Heights

- 50mm
- 400mm
- 14-1/2"
- 18"
- 24"

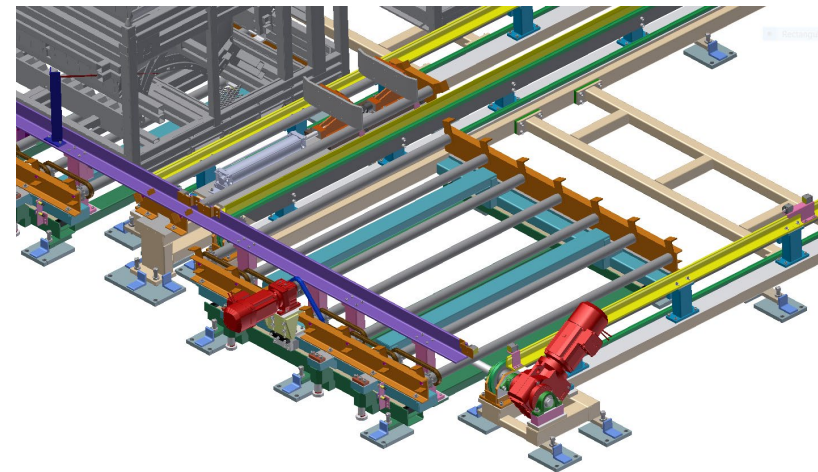
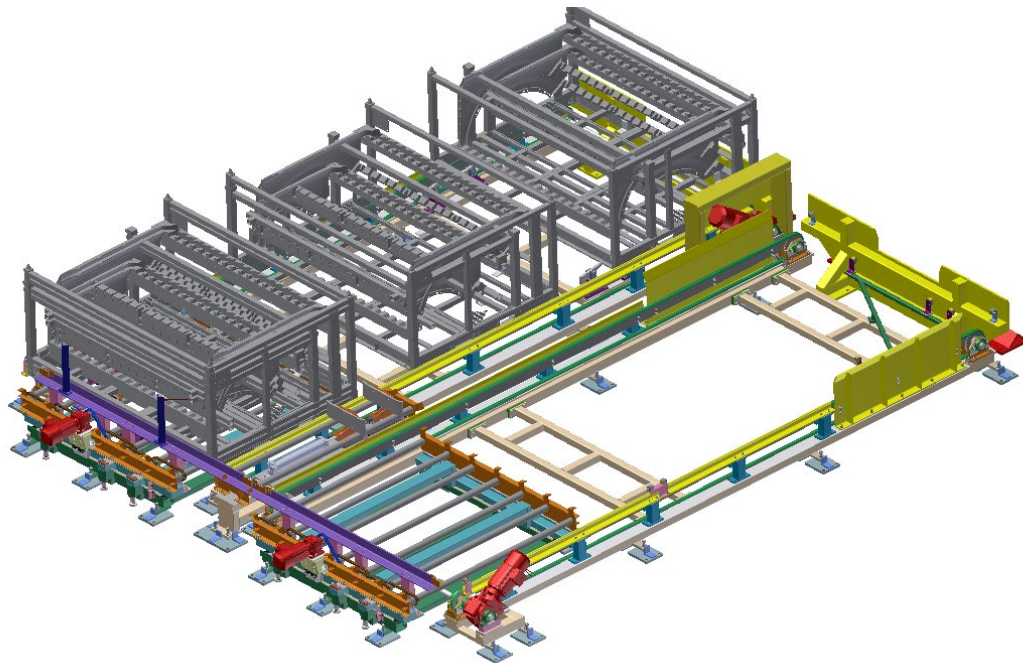
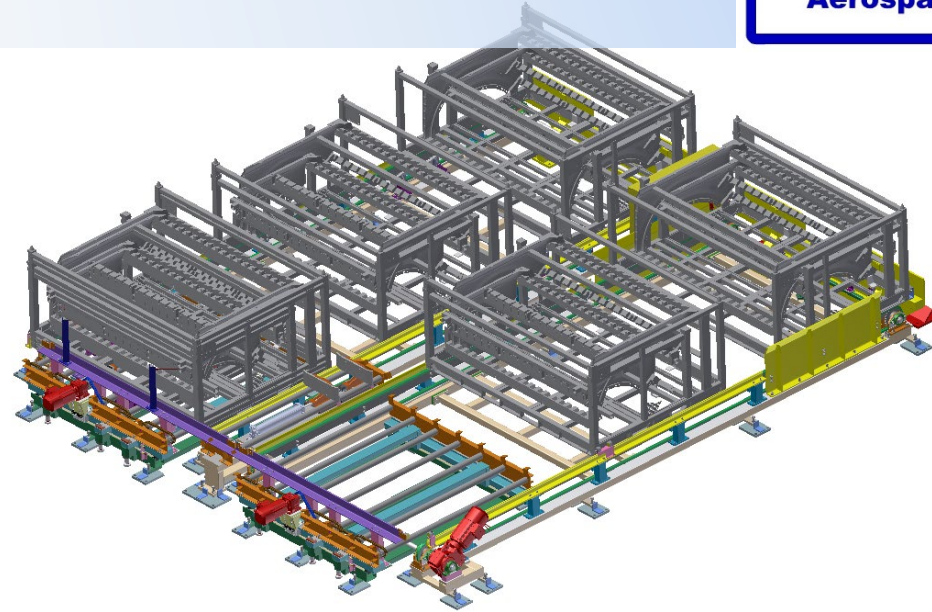
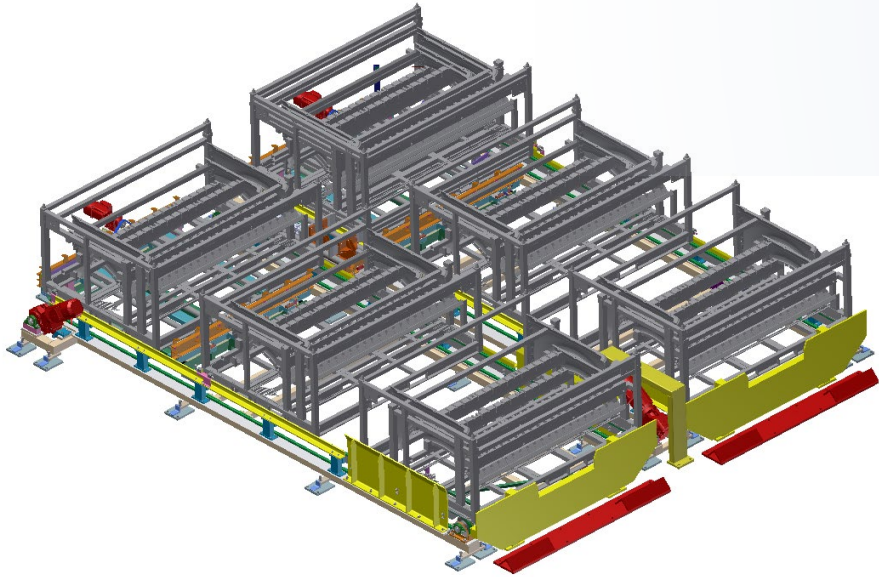


Features Include the following:

- (4) Trapezoid Lifting Arms utilizing a circular lifting rack to create the lifting motion
- SEW Motors w/absolute encoders for precise positing
- Repeatability .030"



Rack Indexers

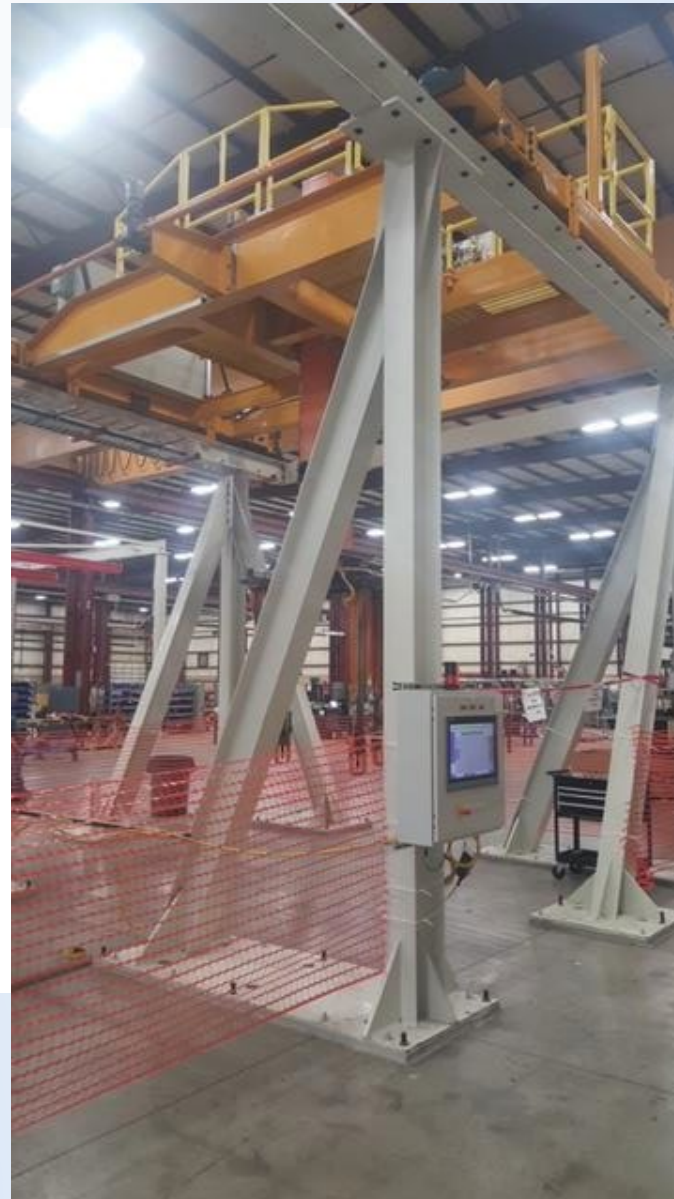
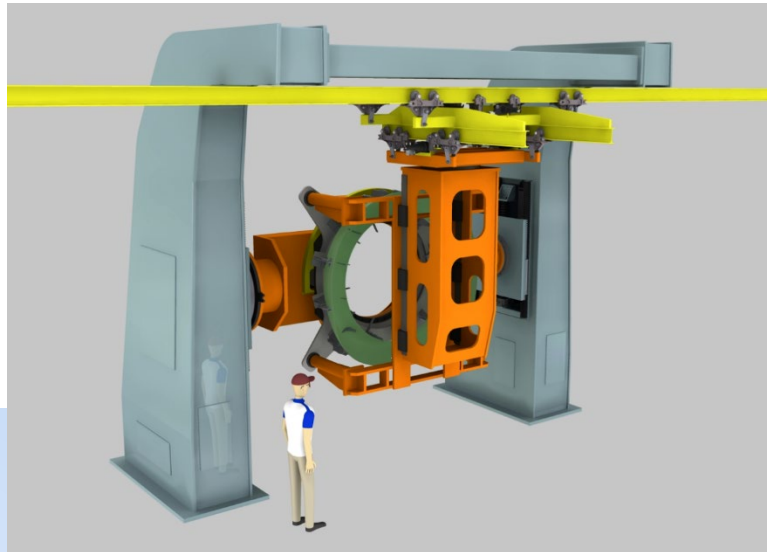
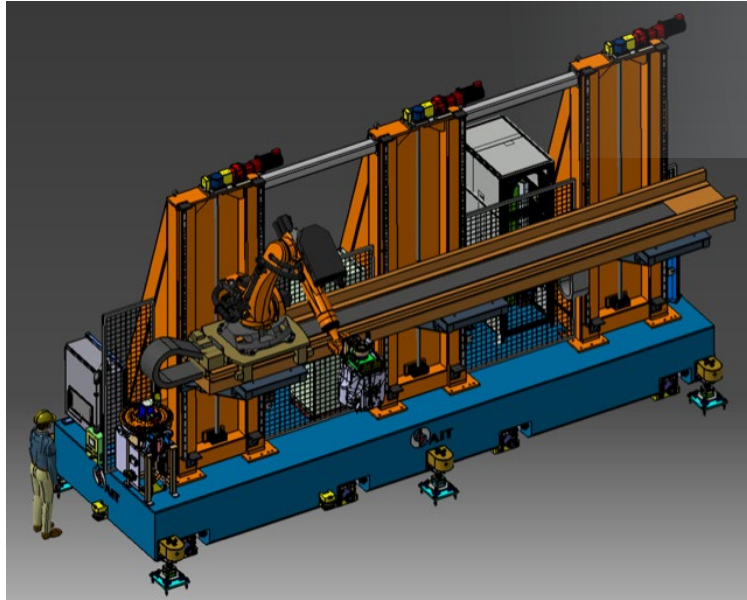


Fast Pull Bar & Fast Friction Transfer



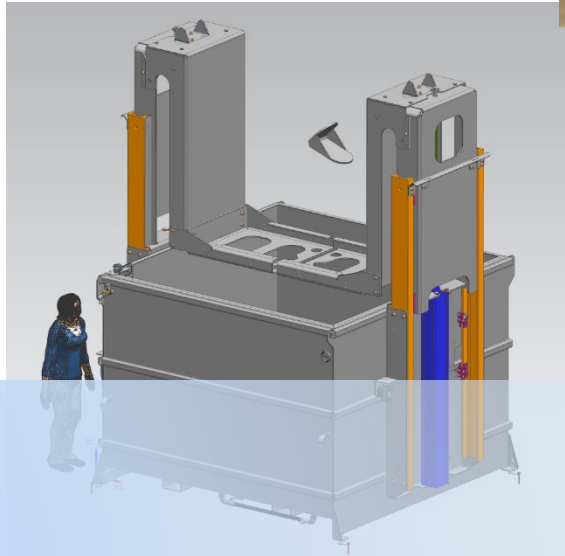
Please Note: The above photos are for reference only

Custom Automation



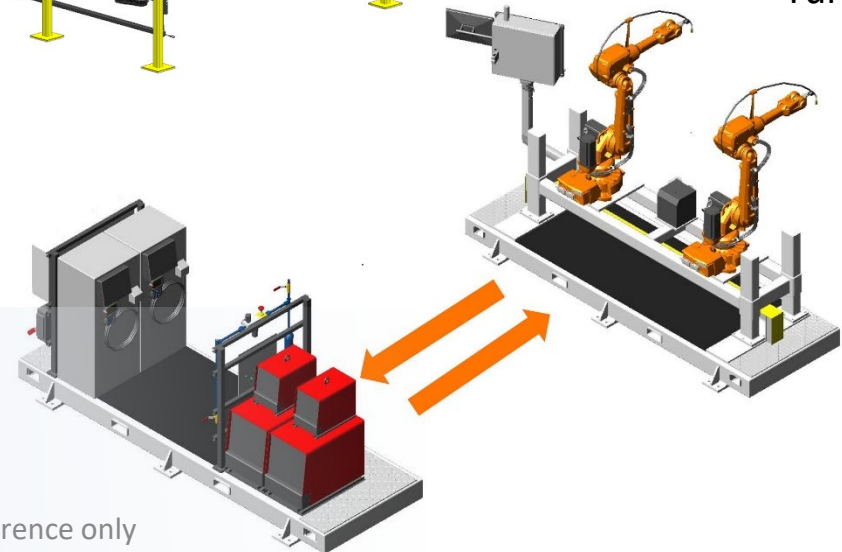
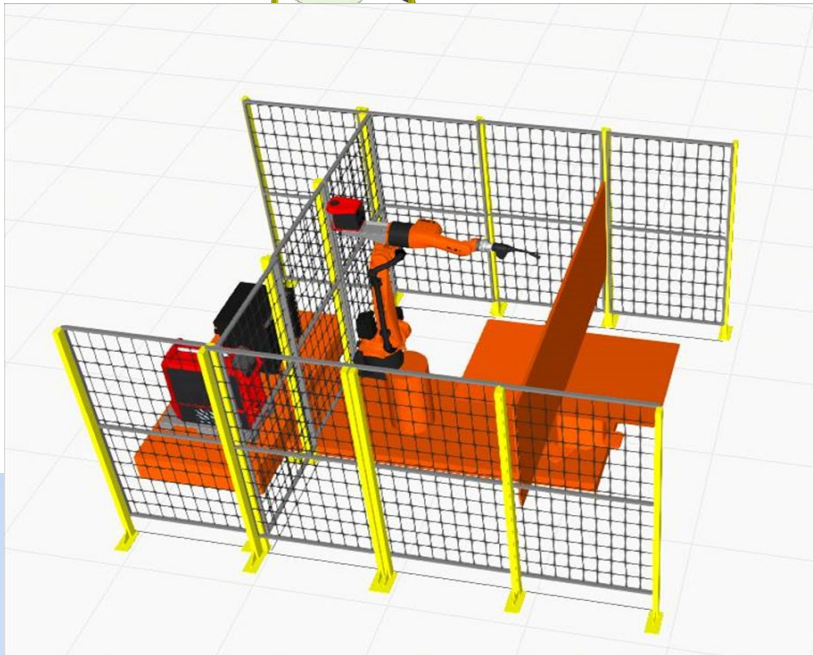
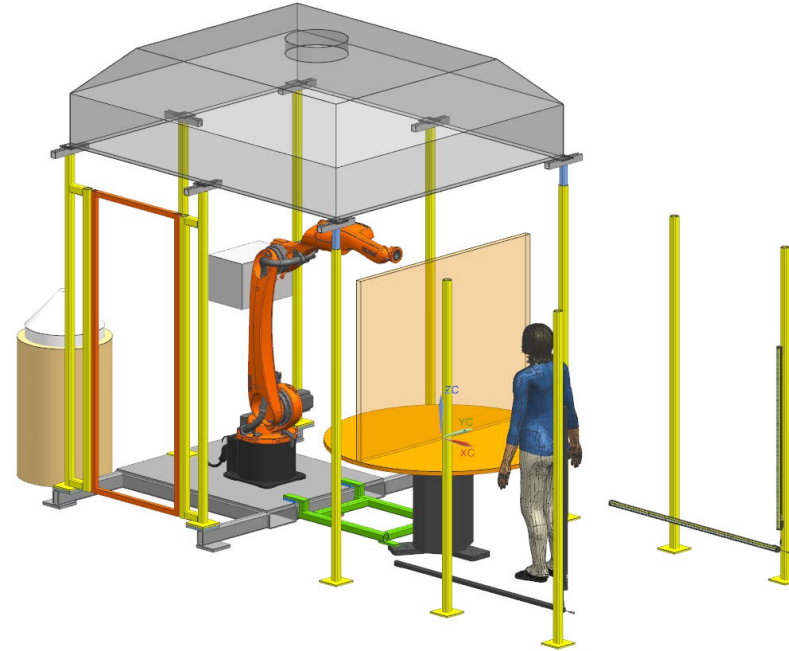
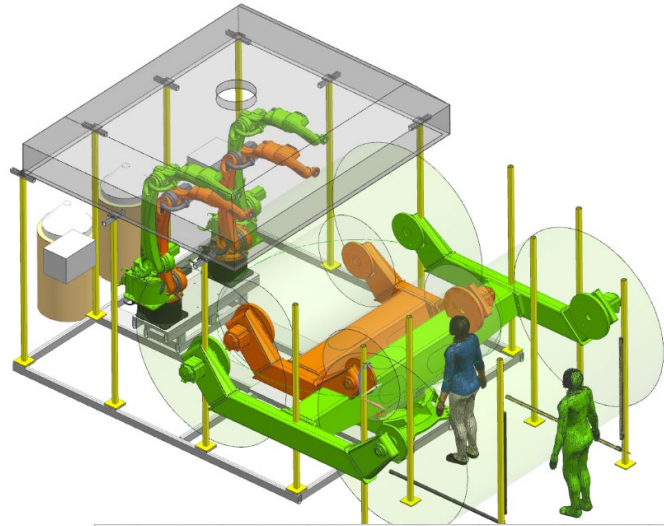
Please Note: The above photos are for reference only

Custom Automation



Please Note: The above photos are for reference only

Custom and Standard Weld Cells



Flexible Weld Cells:

- Can accommodate any type robot manufacture.
- Positioners include:
 - Turn Table
 - Trunnions (TT2T)
 - Ferris Wheel
 - Positioners
 - Turn Tables

Please Note: The above photos are for reference only